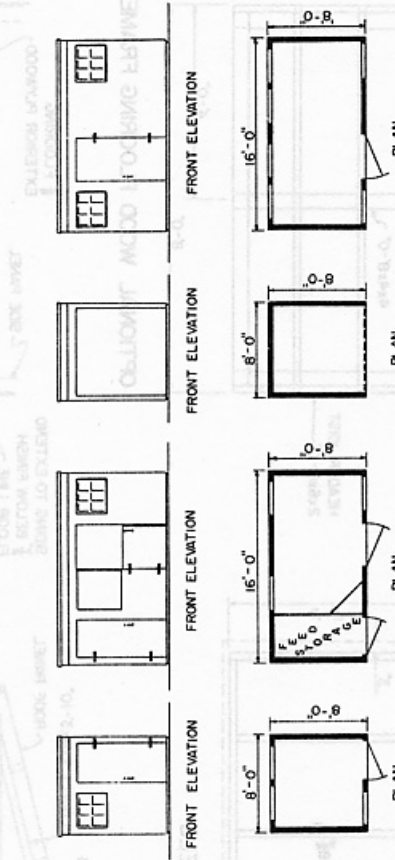


BILL OF MATERIALS

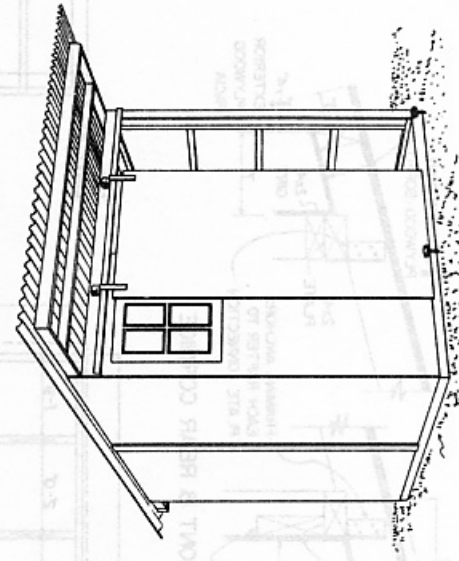
USES OF UTILITY SHED

ITEM	SIZE	PCS.	AMOUNT
CONCRETE FLOOR	8'-0" x 8'-0" x 4"	1	1 CU. YD
CONCRETE	3/8" x 6"	14	14 EA.
ANCHOR BOLTS			
OPTIONAL WOOD FLOOR			
JOISTS	2x4x8'-0"	5	27 F.B.M.
JOIST HEADER	2x6x8'-0"	16	16 F.B.M.
END JOIST & SKIDS	4x4x8'-0"	5	54 F.B.M.
FLOORING, EXTERIOR PLYWOOD	3/8" x 4'-0" x 8'-0"	2	2 SHEETS
EYE BOLTS	3/8" x 6"	2	2 EA.
NAILS, COMMON	1/2" x 6"	16d	1 3/4 LBS.
NAILS, GALVANIZED	6d	6d	3/4 LB.
2 REAR PANELS			
STUDS	2x4x6'-0"	4	16 F.B.M.
SILL, GIRTS, & PLATE	2x4x4'-0"	10	27 F.B.M.
SASH BLOCKING	2x4x2'-0"	2	2 F.B.M.
SIDING, EXTERIOR PLYWOOD	3/8" x 4'-0" x 8'-0"	2	2 SHEETS
BATTEN, EXTERIOR PLYWOOD	3/8" x 3"x 6'-0"	1	1 STRIP
WINDOW	1'-8" x 3'-0"	1	1 EA.
NAILS, COMMON	16d	16d	1 1/4 LBS.
NAILS, GALVANIZED	6d	6d	3/4 LB.
4 SIDE PANELS			
GIRTS & SILL	2x4x4'-0"	10	27 F.B.M.
FRONT & CENTER STUDS	2x4x8'-0"	6	32 F.B.M.
REAR STUDS	2x4x6'-0"	2	8 F.B.M.
SIDING, EXTERIOR PLYWOOD	3/8" x 4'-0" x 8'-0"	4	4 SHEETS
BATTENS, EXTERIOR PLYWOOD	3/8" x 3"x 6'-0"	2	2 STRIPS
RAFTER TRIM, FRONT	3/8" x 4"x 2'-8"	2	2 STRIPS
RAFTER TRIM, REAR	3/8" x 4"x 8"	2	2 STRIPS
RAILS, COMMON	16d	16d	2 1/2 LBS.
RAILS, GALVANIZED	6d	6d	2 LBS.
1 FRONT PANEL			
STUDS	2x4x8'-0"	3	16 F.B.M.
SILL, GIRTS, & PLATE	2x4x4'-0"	5	14 F.B.M.
HEADER	2x6x4'-0"	1	3 F.B.M.
SASH BLOCKING	2x4x4'-0"	1	3 F.B.M.
SIDING, EXTERIOR PLYWOOD	3/8" x 4'-0" x 8'-0"	1	1 SHEET
WINDOW	2'-5" x 3'-0"	1	1 EA.
NAILS, COMMON	16d	16d	1 LB.
NAILS, GALVANIZED	6d	6d	1/2 LB.
1 FRONT PANEL - SLIDING DOOR			
STUDS	2x4x8'-0"	3	16 F.B.M.
PLATE	2x4x4'-0"	1	3 F.B.M.
HEADER	2x6x4'-0"	1	4 F.B.M.
SIDING, EXTERIOR PLYWOOD	3/8" x 2"x 7'-5"	1	1 STRIP
	3/8" x 5"x 7'-5"	1	1 STRIP
	3/8" x 7"x 4'-0"	1	1 STRIP
DOOR, EXTERIOR PLYWOOD	3/8" x 4'-0" x 8'-0"	1	1 SHEET
SLIDING DOOR TRACK	8'-0" LONG	1	1 EA.
SLIDING DOOR TROLLEYS	3" DIA WHEEL	2	2 EA.
DOOR STAY ROLLERS	2" DIA WHEEL	2	2 EA.
NAILS, COMMON	16d	16d	1 1/2 LB.
NAILS, GALVANIZED	6d	6d	1/4 LB.
2 ROOF PANELS			
RAFTERS	2x4x12'-0"	4	32 F.B.M.
GIRTS	2x4x4'-0"	14	38 F.B.M.
FACIA, FRONT	3/8" x 4"x 8'-0"	1	1 SHEET
FACIA, REAR	3/8" x 4"x 8'-0"	1	1 SHEET
SOFFIT, FRONT	3/8" x 2'-7" x 8'-0"	1	1 SHEET
SOFFIT, REAR	3/8" x 7"x 8'-0"	1	1 SHEET
NAILS, COMMON	16d	16d	1 1/2 LBS.
NAILS, GALVANIZED	6d	6d	3/4 LBS.
NAILS, ALUMINUM	2" SCREW SHANK	100	100 EA.
ROOFING, ALUMINUM	BV CRIMP	2	2 SHEETS
FRAMING ANCHORS (4x4)	.024" x 50" x 12'-0"	4	4 EA.
FRAMING ANCHORS (4x4)	18 GAUGE	4	4 EA.
FRAMING ANCHORS (4x4)	18 GAUGE	4	4 EA.

NOTE
BATTENS, RAFTER TRIM, SOFFITS, & FACIAS TO BE CUT FROM 1 SHEET OF 3/8" x 4'-0" x 8'-0" EXTERIOR PLYWOOD & WASTE FROM THE SIDING USED ON THE SIDE & REAR PANELS



4-H POULTRY HOUSE
HORSE STALL
OPEN SHED



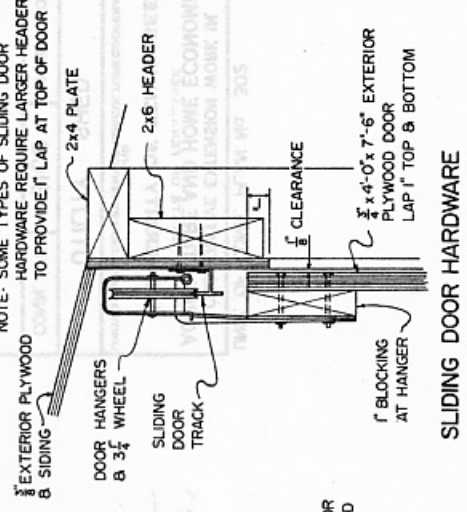
PERSPECTIVE

UNIV. OF CONN. PLAN No. 302

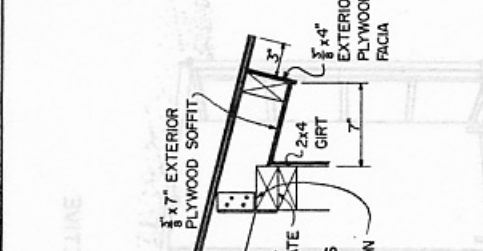
COOPERATIVE EXTENSION WORK IN AGRICULTURE AND HOME ECONOMICS
STATE OF TENNESSEE
UNIVERSITY OF TENNESSEE
AND
UNITED STATES DEPARTMENT OF AGRICULTURE COOPERATING

UTILITY SHED
CONN. '70 6100 SHEET 1 OF 2

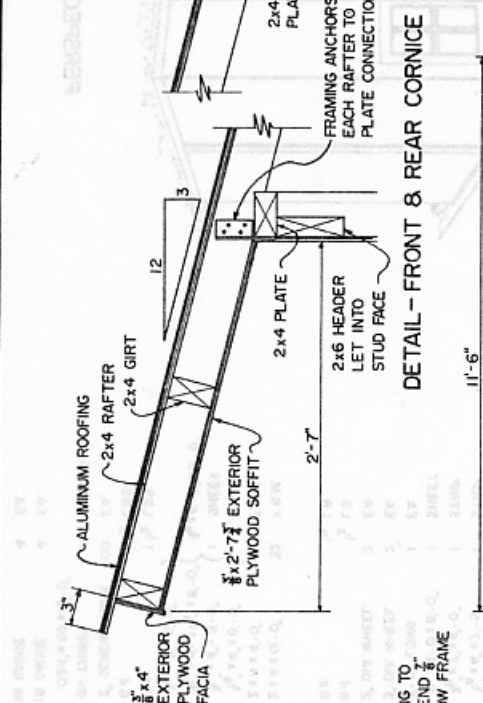
NOTE: SOME TYPES OF SLIDING DOOR HARDWARE REQUIRE LARGER HEADERS TO PROVIDE L AP AT TOP OF DOOR



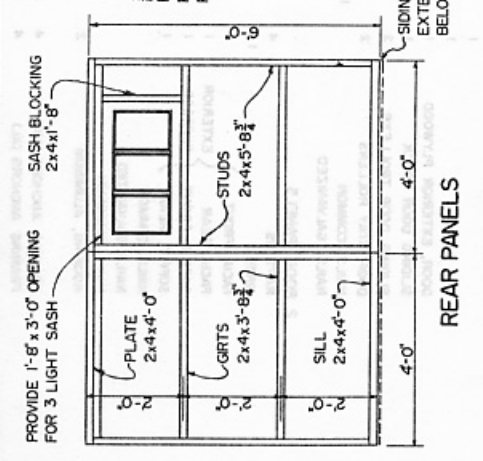
SLIDING DOOR HARDWARE



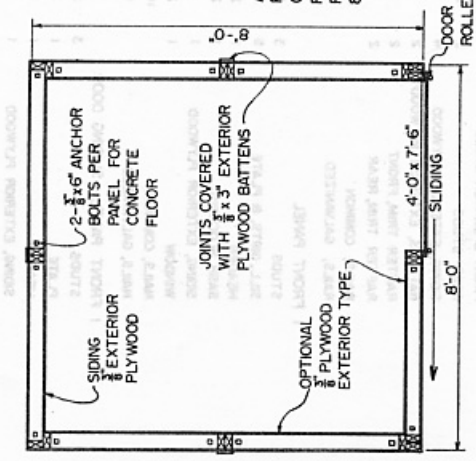
DETAIL - FRONT & REAR CORNICE



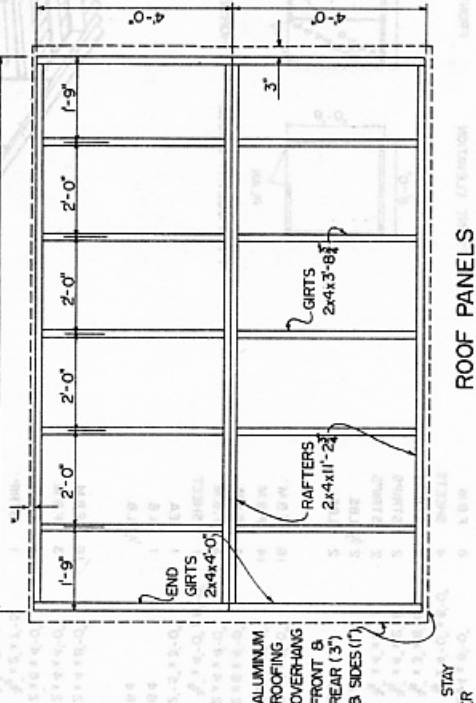
REAR PANELS



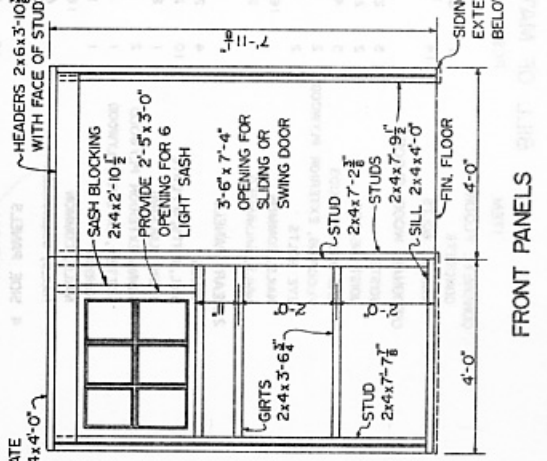
FRONT PANELS



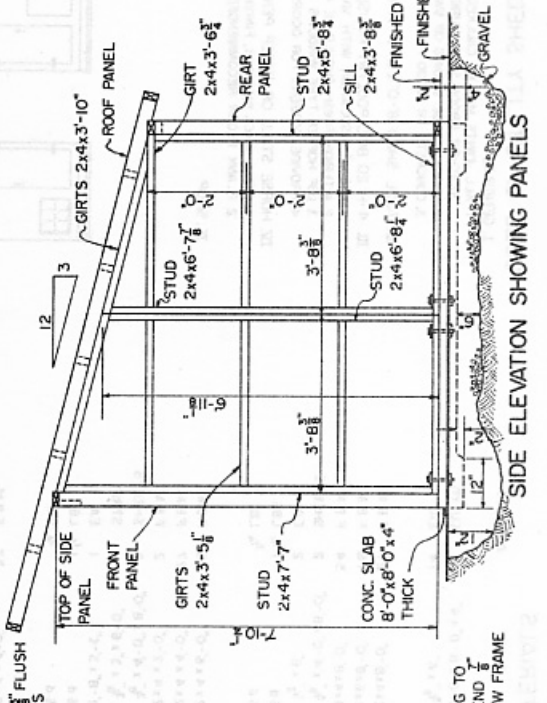
ROOF PANELS



OPTIONAL WOOD FLOORING FRAME



SIDE ELEVATION SHOWING PANELS



ELEVATION - WOOD FLOOR FRAME

COOPERATIVE EXTENSION WORK IN AGRICULTURE AND HOME ECONOMICS
UNIVERSITY OF TENNESSEE
AND
UNITED STATES DEPARTMENT OF AGRICULTURE COOPERATING

NOTE: PLYWOOD TO BE NAILED WITH 6d GALVANIZED NAILS 6" O.C. AT EXTERIOR EDGES & 10" O.C. AT INTERMEDIATE JOINTS.